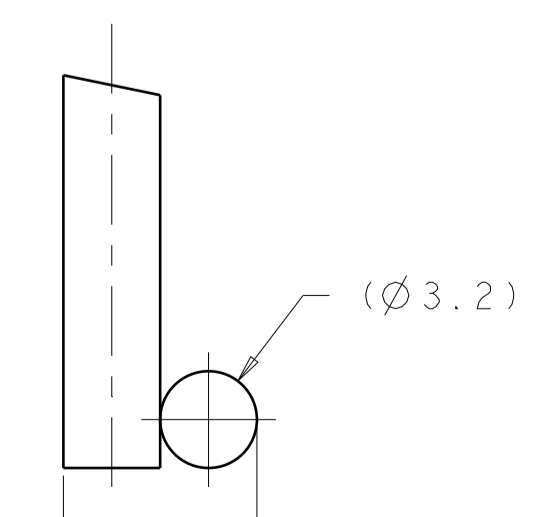
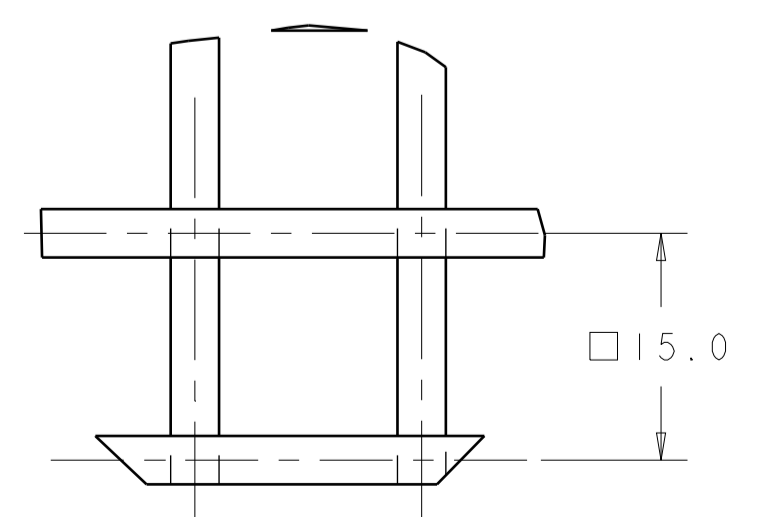
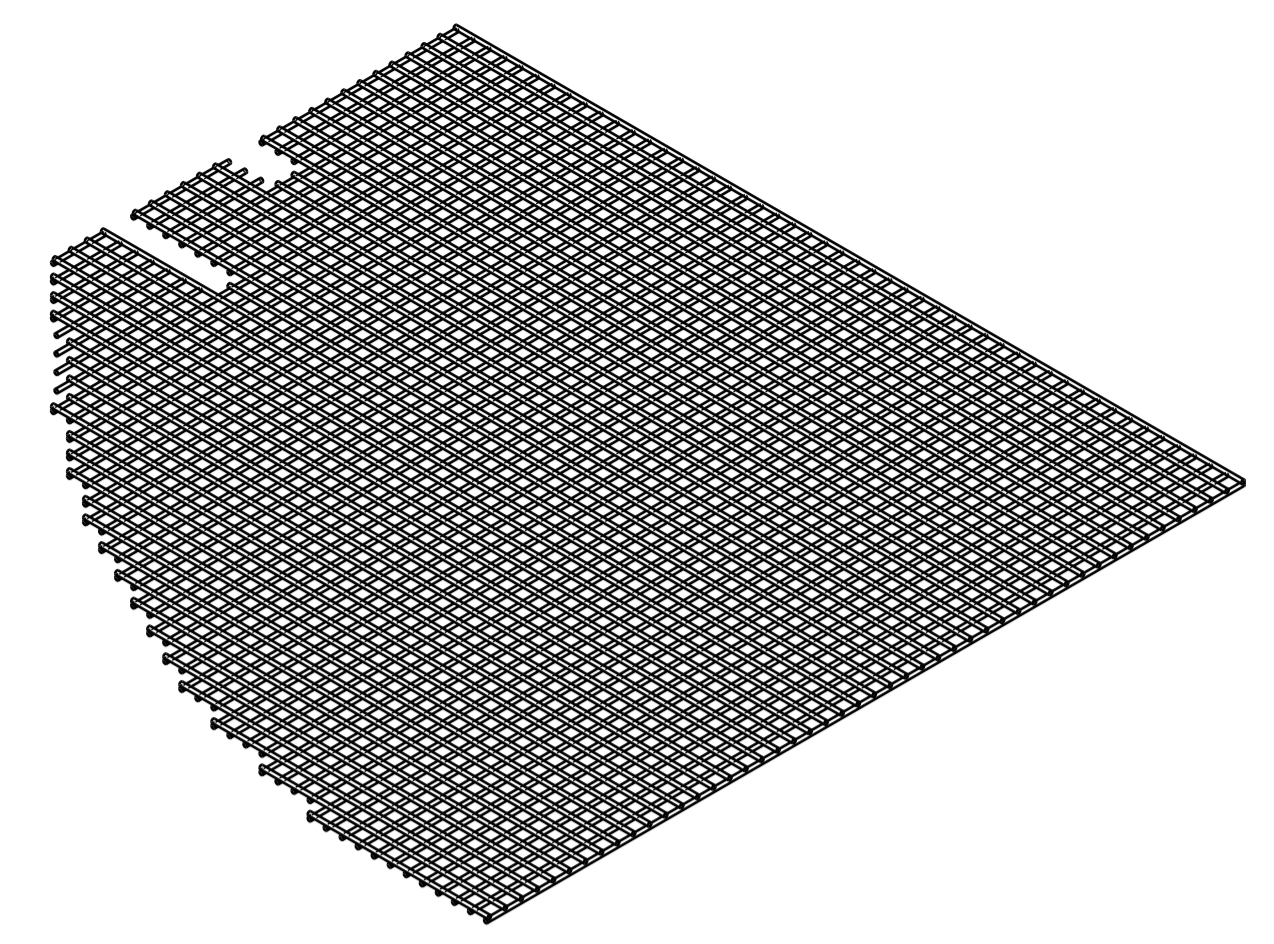
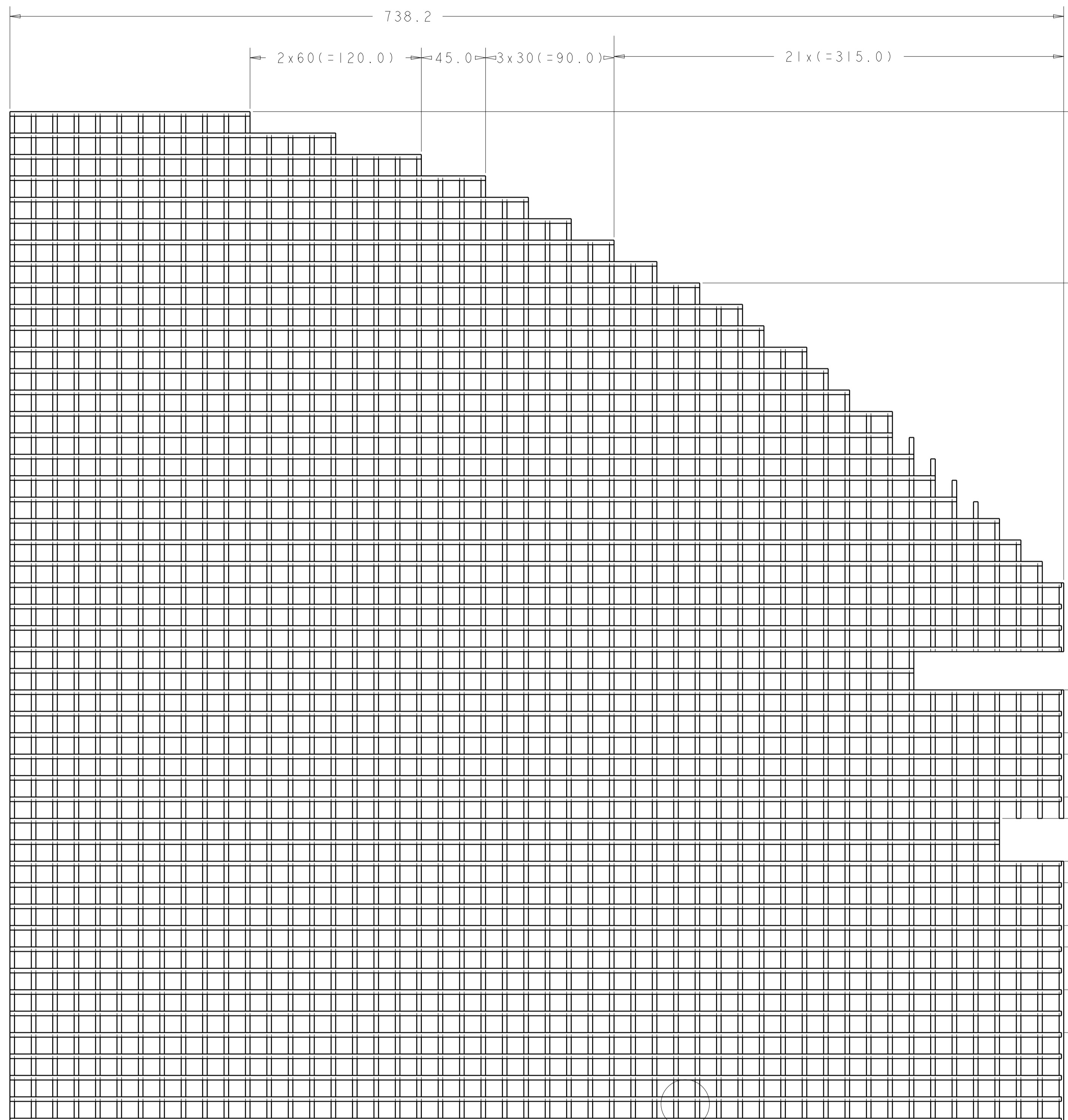


REV	ECN	DESCRIPTION	BY	DATE
2	329001	PRODUCTION RELEASE	MCN	2024-03-28



CS AND CC SYMBOLS IDENTIFY FEATURES REQUIRING PROCESS CAPABILITY PER AGO'S QUALITY PROCEDURE FOR KEY CHARACTERISTICS GOP0010007		DIMENSIONS: MILLIMETER OR MILLIMETER INCH		CAT NO	FIRST ANGLE PROJECTION ISO 5456	DESCRIPTION GRID
NO. OF KC's 0		TOLERANCES NOT SPECIFIED		ORIG NEXT ASM ACX4945410	DESIGNED BY: DFreitas	DESIGN CONTROL: CA1
KEY CHARACTERISTIC LEVEL KCL 0		NOMINAL METRIC DIMENSION TO OVER 120 400 1000		DRAWN DATE 2023-11-28	TRANSLATED DESCRIPTION TELA INOX	
		0 OR 1 DECIMAL ±0.8 ±1.2 ±2 ±3		ORIG PROD PF-L	LIFECYCLE STATE App For Series	DRAWING NUMBER ACX4945380
		2 DECIMALS ±0.25		MULTI-LANGUAGE PROPRIETARY STATEMENT 705100871	SCALE: 1:2	WEIGHT: 3.798 KG / 8.373 LBS
		ANGULAR FORMED ±1 ° OTHER ±0.5°		THE REPRODUCTION, DISTRIBUTION AND UTILIZATION OF THIS DOCUMENT AS WELL AS THE COMMUNICATION OF ITS CONTENTS TO OTHERS WITHOUT EXPRESS AUTHORIZATION IS PROHIBITED. OFFENDERS WILL BE HELD LIABLE FOR THE PAYMENT OF DAMAGES. ALL RIGHTS RESERVED IN THE EVENT OF THE GRANT OF A PATENT, UTILITY MODEL OR DESIGN.		

MATERIAL	304 SS ASTM A240
NOTE	USE CMSMI903 FOR MATERIAL CROSS-REFERENCE

VERSION: 2.3
SHEET: 1/1