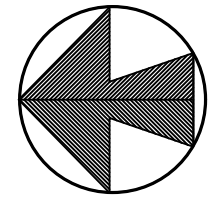


NORTH



CONTAMINATION PIT DRAIN, SEE UG PIPING DRAWINGS & CT (1410A95M)C-ZA 260 (EN)

APPROX. CONCRETE EL. 99'-9 1/2"

APPROX. CONCRETE EL. 99'-10 1/2"

APPROX. CONCRETE EL. 99'-10 7/8"

GROUT POCKETS TYP. SEE SHT. 7 FOR DETAILS

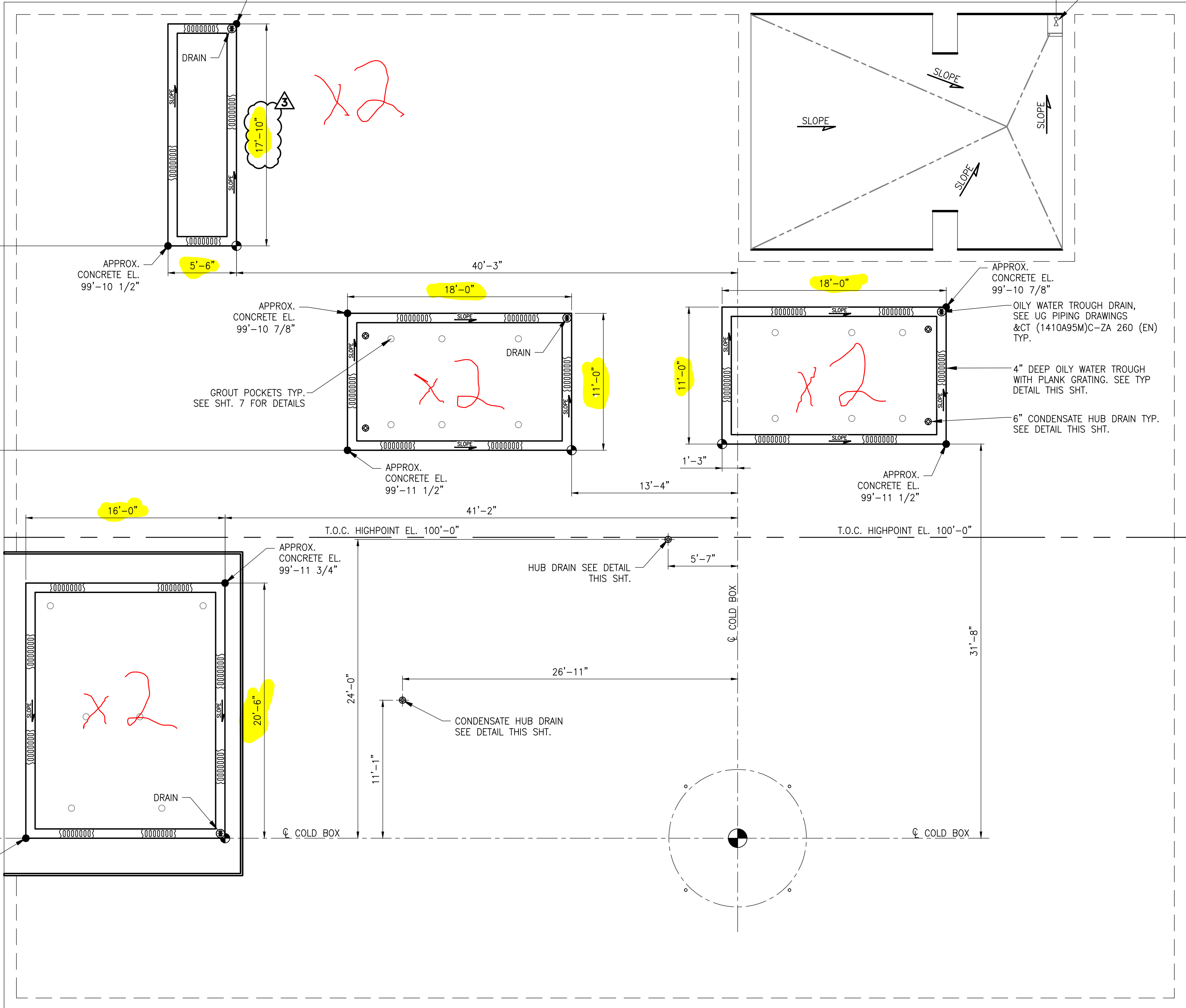
APPROX. CONCRETE EL. 99'-11 1/2"

APPROX. CONCRETE EL. 99'-11 1/2"

APPROX. CONCRETE EL. 99'-11 3/4"

APPROX. CONCRETE EL. 99'-10 1/2"

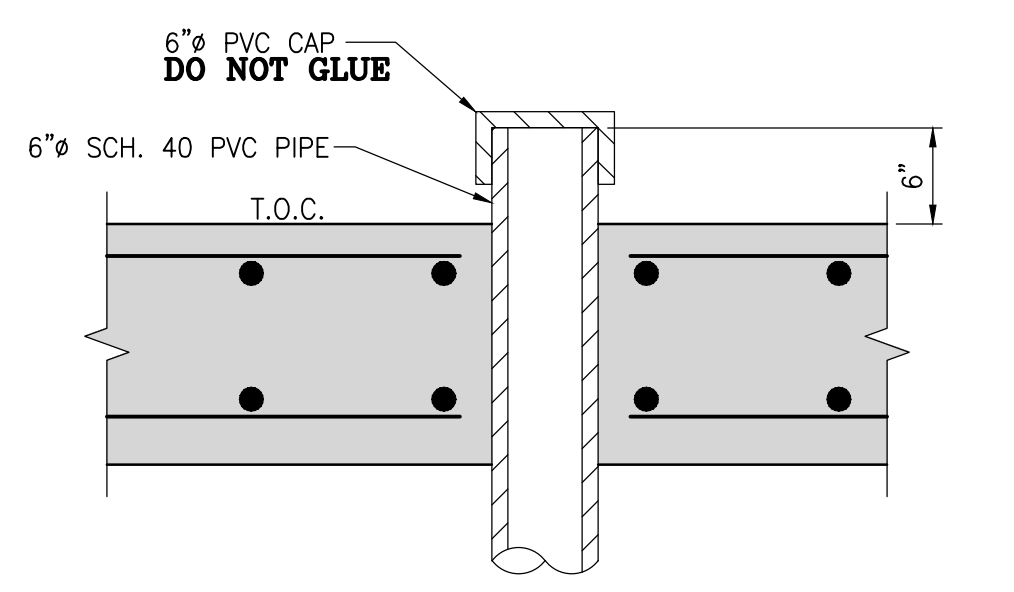
TRENCH BARRIER WALL ON PLANT 1 FOUNDATION ONLY



ALL ELEVATIONS SHOWN ARE FOR PLANT 2. ADD 3" TO ALL ELEVATIONS FOR PLANT 1.

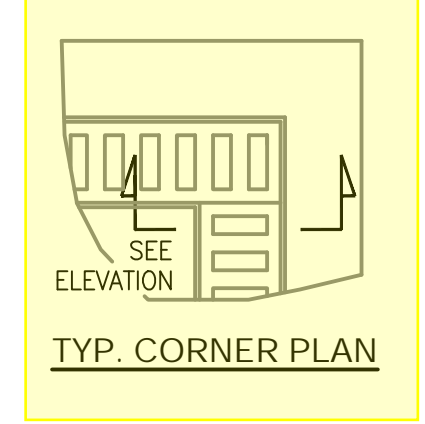
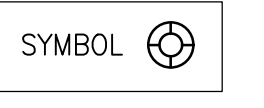
OILY WATER TROUGH LAYOUT

SCALE 3/16" = 1'-0"

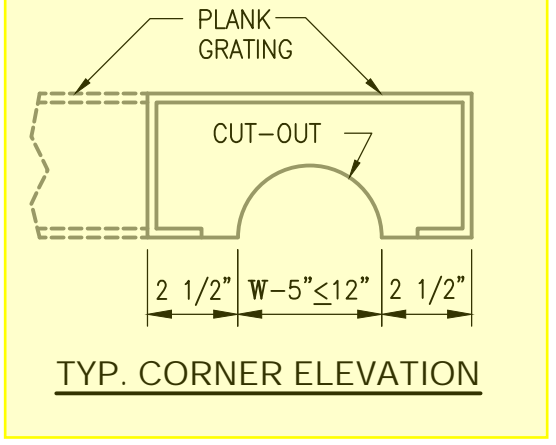


HUB DRAIN DETAIL

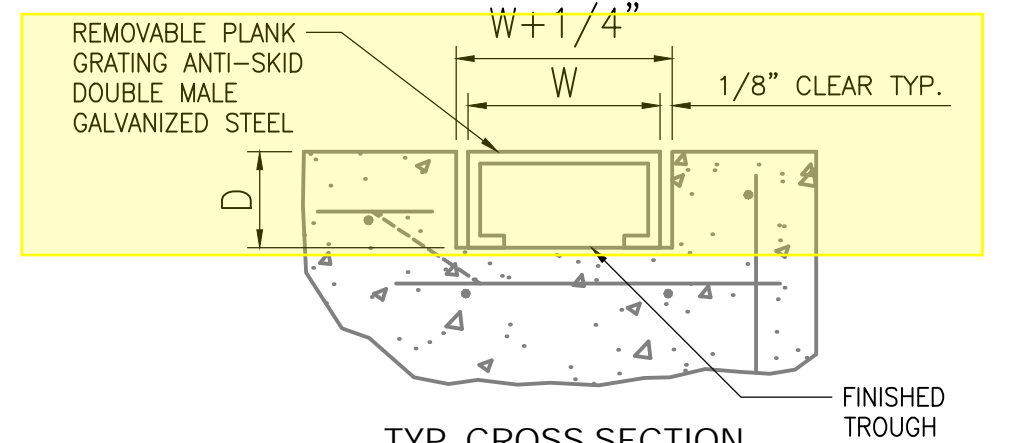
SCALE: 1"=1'-0" QTY. (6)



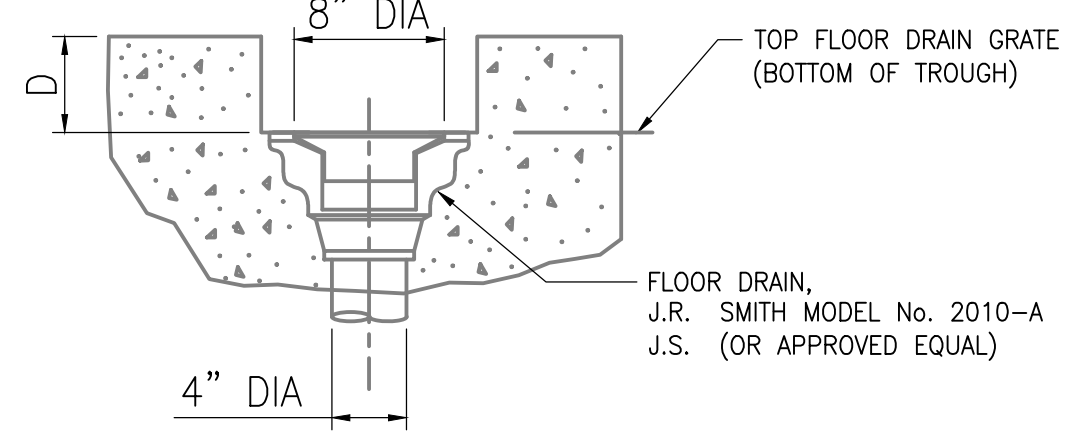
TYP. CORNER PLAN



TYP. CORNER ELEVATION



TYP. CROSS SECTION



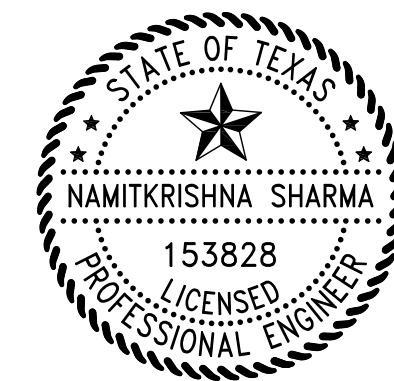
TYPICAL OILY WATER DRAIN DETAIL



ACCEPTABLE OPTIONS	MANUFACTURER	PRODUCT NAME	DEPTH, D (IN)	WIDTH, W (IN)	MINIMUM GAGE
Ü	UNISTRUT (ATKORE)	UNITED INTERLOCK	4	9	14
Ü	EATON B-LINE	GRATE-LOCK	4	9	14
Ü	COOPER B-LINE	GRATE-LOCK	4	9	14
Ü	P & R METALS	GRATE-LOCK	4	9	14
Ü	ROBERTSON GRATING PRODUCTS	GRATE-LOCK	4	9	14

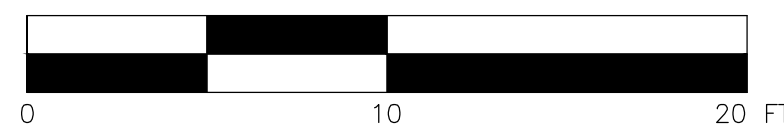
TYPICAL OILY WATER TROUGH DETAIL

(03250-110)



03/09/2026 LINDE ENGINEERING NORTH AMERICA LLC Texas Registered Engineering Firm F-15215

RECEIVED MAR 10 2026 GABRIELA SOSA CAJUN TR: 0005 --- EMAIL - REVS



IFC	3	3/6/26	INCREASED FINFAN TROUGH SIZE	NFB	JSC	NKS
IFC	2	1/14/26	ISSUED FOR CONSTRUCTION	NFB	KSK/JSC	NKS
IFB	1	11/21/25	ISSUED FOR BID	NFB		
STATUS	ISSUE	DATE	DESCRIPTION	PREPARED	CHECKED	APPROVED

Linde LINDE ENGINEERING AMERICAS TONAWANDA, NEW YORK

Protection notice: The reproduction, distribution and utilization of this document as well as the communication of its contents to others without express authorization are prohibited. Offenders will be held liable for the payment of damages. All rights reserved in the event of a patent, utility model or design. Distribution notice: Class 3-Internal-No distribution outside of the Linde Group without the express approval of the document approver or a confidentiality agreement.

Linde Project No.: 1410A95M Linde Project Code: NITRON 8000

Title: CIVIL CONSTRUCTION PACKAGE OVERALL OILY WATER TROUGH PLAN & DETAILS ORANGE, TX. - GOLDEN TRIANGLE POLYMERS

Scale: 3/16"=1'-0" Issue: 3

Linde Drawing No. &CT-(1410A95M)-C-ZA 210 (EN) Sheet 4 OF 9 Size: D